

# Morse Code

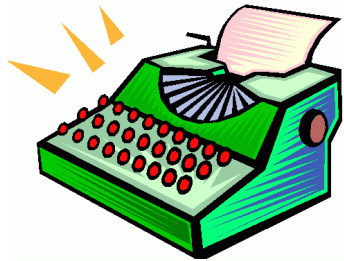
# Translation

- |    |                          |             |
|----|--------------------------|-------------|
| 1. | -.-. .- -... .. -.       | — — — — —   |
| 2. | ... .. --- . ...         | — — — — —   |
| 3. | ...- .. --- .-.. .. -.   | — — — — — — |
| 4. | -.-. .- -. --- .         | — — — — —   |
| 5. | -- .- ... -.-            | — — — —     |
| 6. | ... - --- ...- .         | — — — — —   |
| 7. | .-. .- -.. .. ---        | — — — — —   |
| 8. | - .-. --- .-.. ..... -.- | — — — — — — |

# Challenge: Artefacts with long names!

9. - -.-- .-- . .-- .-. .. - . .-

-----



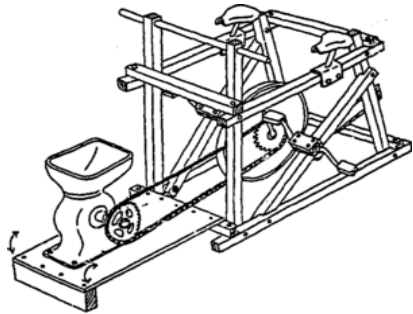
10. .-- ..... . . .--.. --. .... .- .. .-

-----



11. - ..... .-. . .... ..... . .-

-----



12. ..- -- -... .-. . .--.. .-... .-

-----



# Morse Telegraph Key



## Did You Know?

- Morse code is named after Samuel Morse, one of the inventors of the telegraph.
- Each symbol is formed by a sequence of dots and dashes.
- Morse code has been used since 1844.
- The Modern International Morse Code was standardized in 1865.
- Morse code can also be generated by turning lights on and off, tapping an object, or sounding a whistle.
- You can speak Morse Code by saying “Dit” for the dots and “Dah” for the dashes.



1. Cabin  
2. Shoes  
3. Violin  
4. Canoe  
5. Mask  
6. Stove  
7. Radio  
8. Trophy  
9. Typewriter  
10. Wheelchair  
11. Thresher  
12. Umbrella

Solution:

# Morse Code Scavenger Hunt!

Use the Alphabet Chart to translate the Morse Code into words.

## Alphabet Chart

A	.-	N	-.
B	-...	O	---
C	-.-.	P	.-.-.
D	-..	Q	--.-
E	.	R	.-.
F	..-.	S	...
G	--.	T	-
H	....	U	..-
I	..	V	...-
J	.----	W	.-.-
K	-.-	X	-..-
L	.-..	Y	-.-.-
M	--	Z	--..